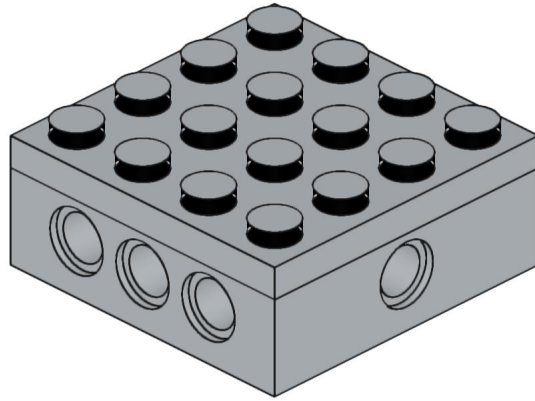
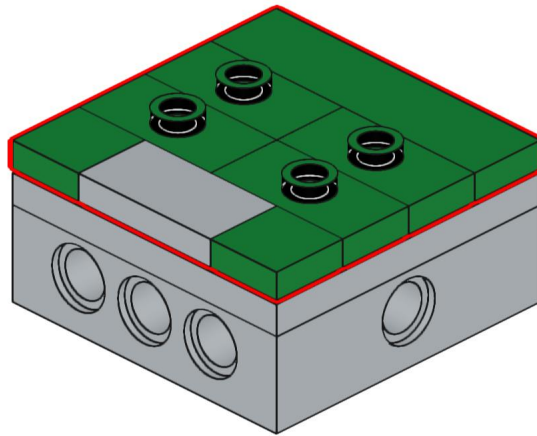
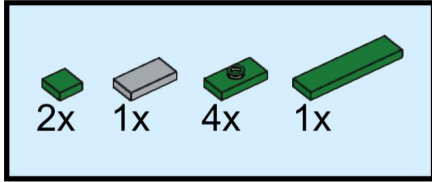


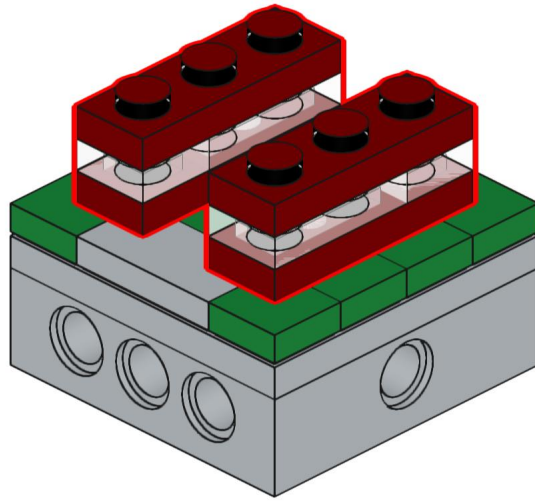
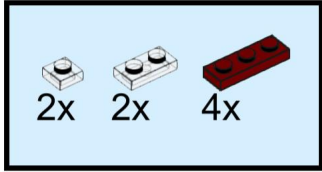
1



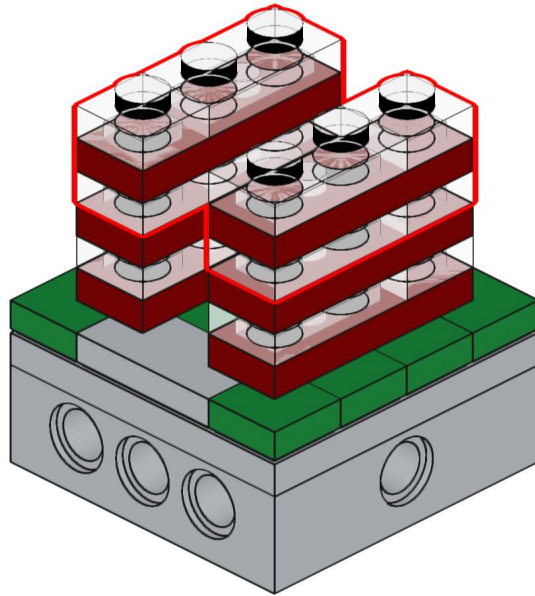
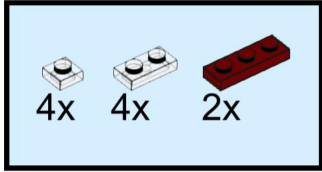
2



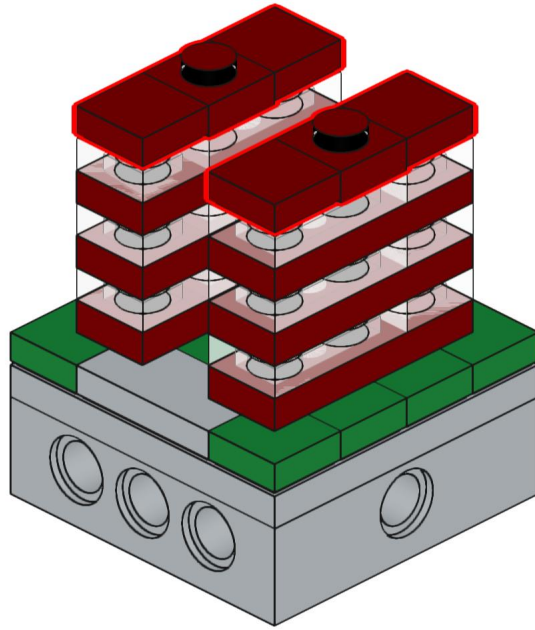
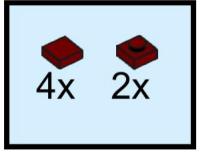
3




4




5




1x
3069
Light Bluish Gray




2x
3070
Green



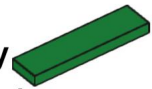
1x
3031
Light Bluish Gray




4x
15573
Green



1x
2431
Green



1x
32324
Light Bluish Gray




6x
3024
Trans-Clear



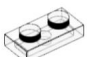
1x
3024
Trans-Clear




4x
3070
Dark Red



6x
3023
Trans-Clear



2x
3024
Dark Red



6x
3623
Dark Red

